

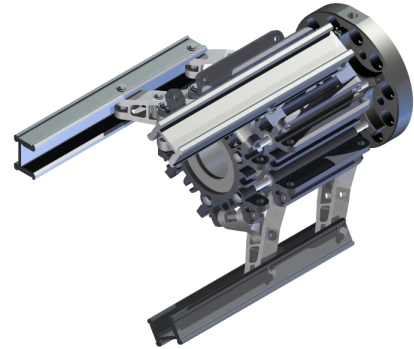
**C06**

Hexagonal Design C06

- Two- to Six-Finger Hollow Gripper -

Characteristics:

- centric, linear and parallel or swiveling finger movement, can also be combined
- adjustable in finger length, amount and position.
- inside and outside gripper
- lubrication and maintenance free slide bearings
- constant hollow tube (Ø38mm)
- self-locking free
- stepless stroke adjustment with shock absorbing action
- multiple position monitoring through proximity switch, optional

*Illustration: type C106-300100-A-PNO-00*

| Technical Data | | | | | | | |
|---|----------------------|------|--|--------------|--------------|--------------|--------------|
| Type C06 | | | Finger Length (F) | | | | |
| | | | 0 mm | 40 mm | 60 mm | 80 mm | 100 mm |
| Finger Movement A (parallel open / parallel close) | Stroke | [mm] | 53 | | | | |
| | Gripping Width* | [mm] | 200 to 253 | | | | |
| | Gripping Force*** | [N] | 690 to 4.650 | | | | |
| Finger Movement B** (parallel open / swiveling close) | Stroke | [mm] | 58 | 75 | 84 | 93 | 101 |
| | Gripping Width* | [mm] | 196 to 254 | 179 to 254 | 170 to 254 | 161 to 254 | 153 to 254 |
| | Gripping Force*** | [N] | 669 to 4.159 | 543 to 2.422 | 496 to 2.003 | 457 to 1.708 | 423 to 1.489 |
| Finger Movement C** (swiveling open / swiveling close) | stroke | [mm] | 60 | 91 | 107 | 124 | 139 |
| | Gripping Width* | [mm] | 197 to 257 | 185 to 276 | 179 to 286 | 172 to 296 | 166 to 305 |
| | Gripping Force*** | [N] | 657 to 4.030 | 498 to 1.517 | 445 to 1.156 | 401 to 934 | 366 to 784 |
| Drive | | | pneumatic | | | | |
| Operating Air Pressure | | | 2 to 6 bar | | | | |
| Cycle Time (undamped) | | | 0,5 s | | | | |
| Energy Consumption per Cycle | | | 0,95 liter (at 6 bar) | | | | |
| Operating Temperature | | | -30 to +80°C | | | | |
| Mass | Operating Unit | | 2 kg | | | | |
| | per Finger Mechanism | | max. 285 g | | | | |
| Loading Capacity* per Finger with Gripping Mass and Acceleration | Mx _{max.} | | 5,5 Nm ⇒ (Fy _{max.} : 55N at finger length F = 100mm) | | | | |
| | My _{max.} | | 11 Nm ⇒ (Fx _{max.} : 110N at finger length F = 100mm) | | | | |
| | Mz _{max.} | | 8 Nm | | | | |
| | Fz _{max.} | | 250 N | | | | |

* referring to fingers' outer edge

** larger strokes through adjustment of gripping width and pivoting angle on request

*** higher gripping force always at finger position "open" (data referring to 6 bar air pressure)

* loading capacity autonomous of gripping force



address:
GMG – Gesellschaft für modulare Greifersysteme mbH
 Rödingerweg 8H
 D-59494 Soest
 Germany

phone:
 +49 (0)2921 – 4062
fax:
 +49 (0)2921 - 4042

e-mail:
 info@gmg-system.com
homepage:
 http://www.gmg-system.com



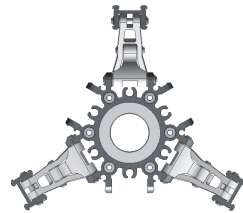
Quantity and Position of Fingers



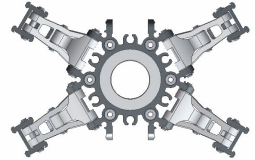
Basic Shape C06



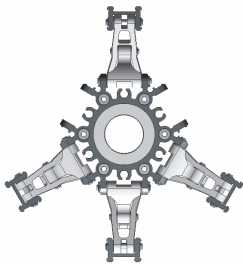
C106-200



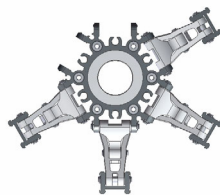
C106-300



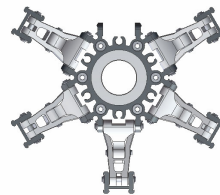
C106-400



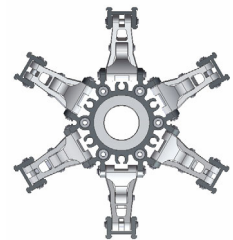
C106-410



C106-420



C106-500

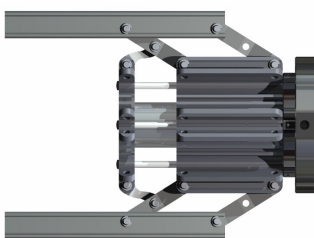
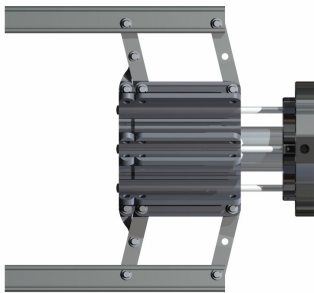


C106-600

Finger Movement

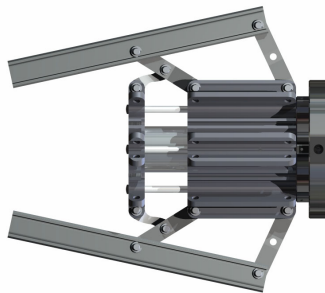
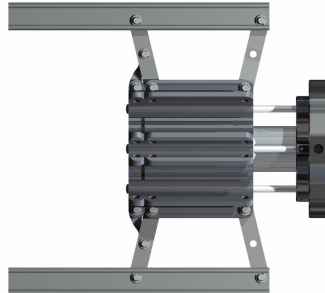
Shape A

(parallel open / parallel close)



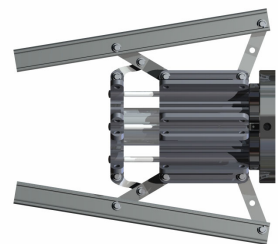
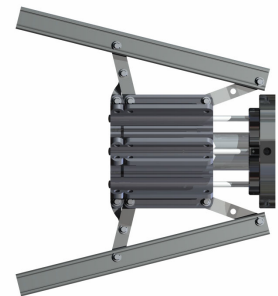
Shape B

(parallel open / swiveling close)



Shape C

(swiveling open / swiveling close)



Special Movement through combining shapes are possible upon request!



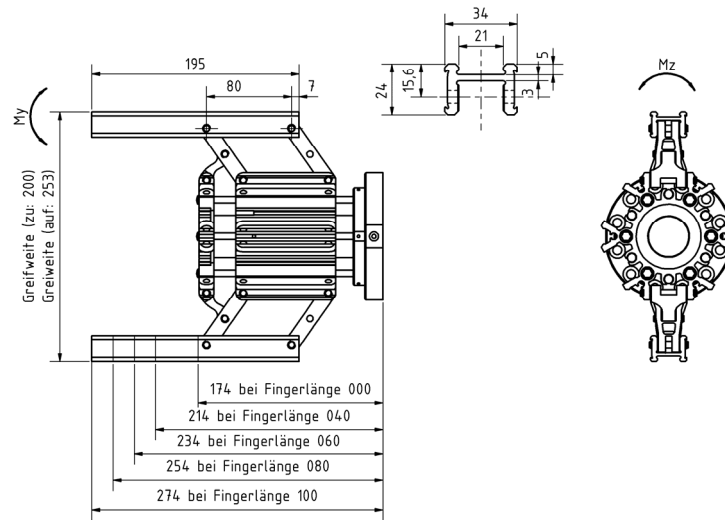
address:
GMG – Gesellschaft für modulare Greifersysteme mbH
Rödingerweg 8H
D-59494 Soest
Germany

phone:
+49 (0)2921 – 4062
fax:
+49 (0)2921 - 4042

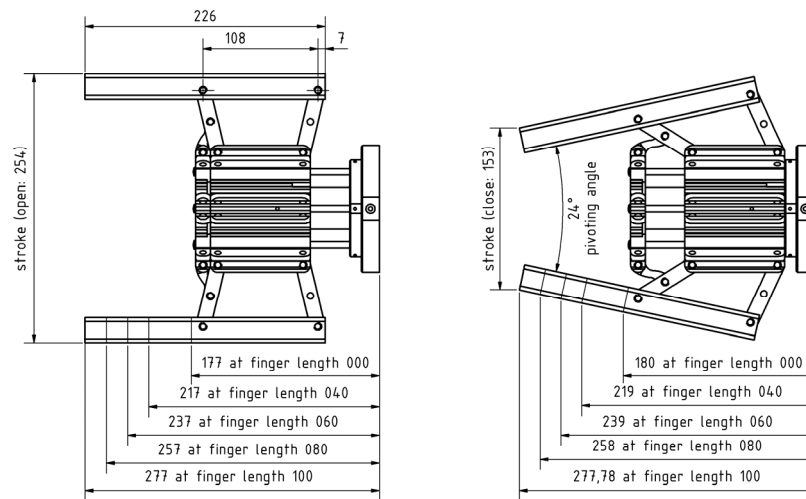
e-mail:
info@gmg-system.com
homepage:
<http://www.gmg-system.com>



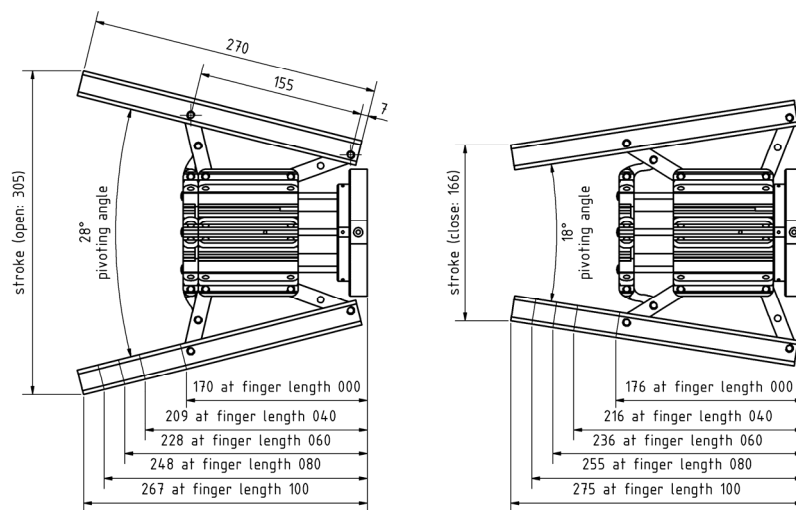
Finger Movement A



Finger Movement B



Finger Movement C



address:
GMG – Gesellschaft für modulare
 Greifersysteme mbH
 Rödingerweg 8H
 D-59494 Soest
 Germany

phone:
 +49 (0)2921 – 4062
 fax:
 +49 (0)2921 - 4042

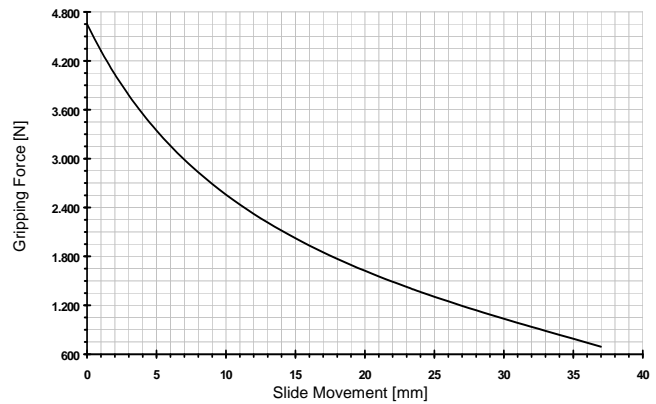
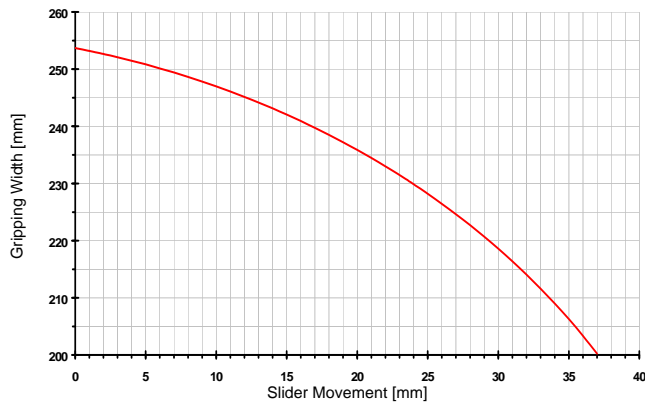
e-mail:
 info@gmg-system.com
 homepage:
 http://www.gmg-system.com



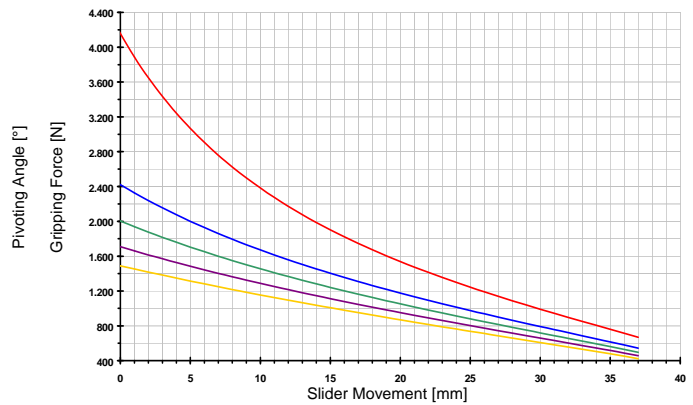
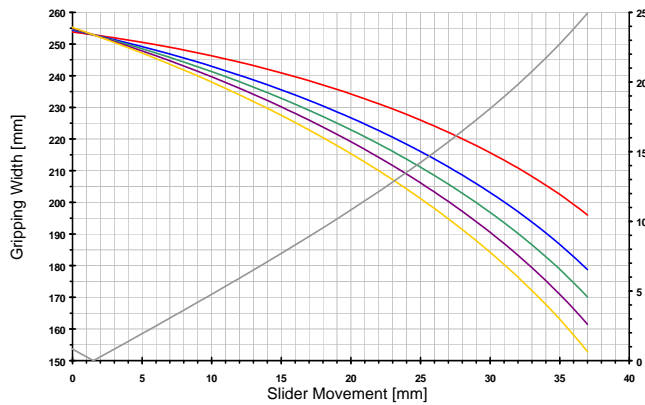
C06

Force- and Gripping-Width-Diagram

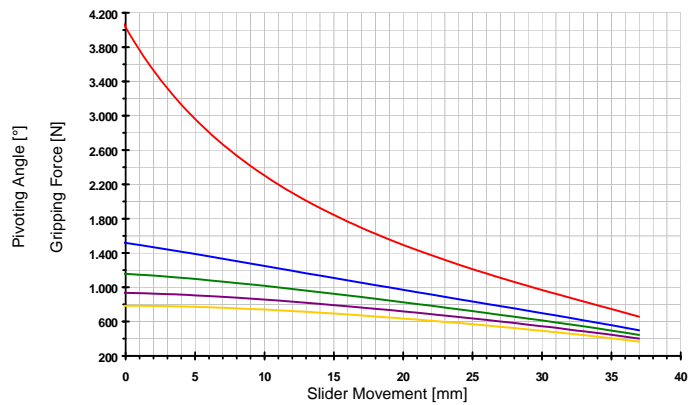
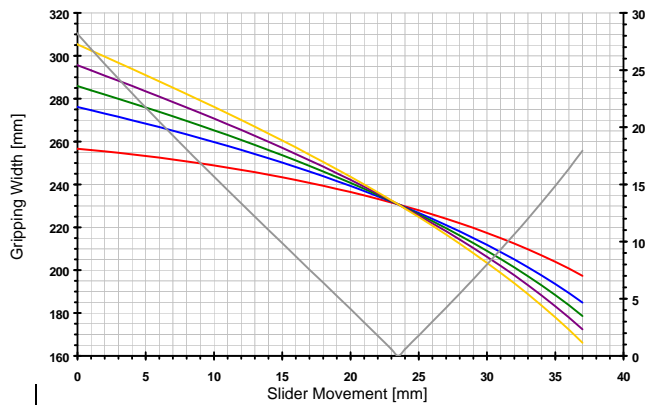
Finger Movement A



Finger Movement B



Finger Movement C



— 0 mm — 40 mm — 60 mm — 80 mm — 100 mm — Pivoting Angle



address:
GMG – Gesellschaft für modulare
Greifersysteme mbH
Rodingerweg 8H
D-59494 Soest
Germany

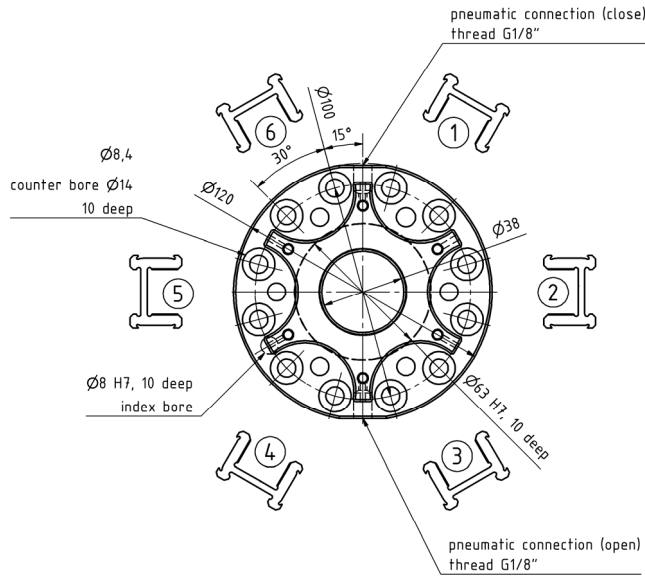
phone:
+49 (0)2921 – 4062
fax:
+49 (0)2921 - 4042

e-mail:
info@gmg-system.com
homepage:
<http://www.gmg-system.com>



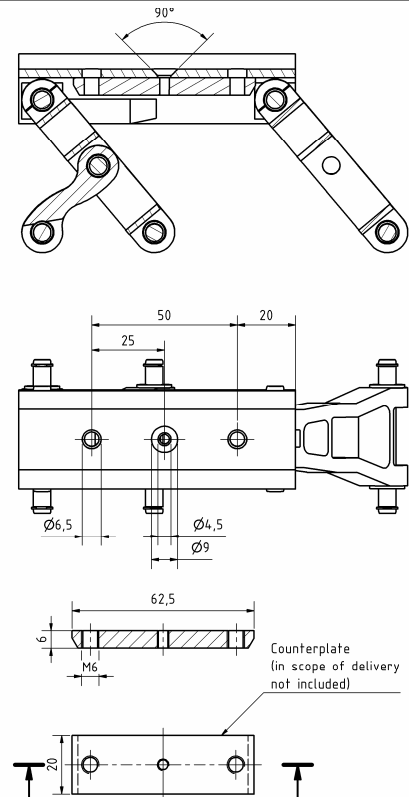
C06

Finger Position Referring to Grippers Flange



Front View

Standard – Bore - Plan



Order Number Counter Plate:
1007-C106-GP06

Only for Finger Length F = 0mm

| Finger Quantity | Position | | | | | | Ident. |
|-----------------|----------|---|---|---|---|---|--------|
| | 1 | 2 | 3 | 4 | 5 | 6 | |
| 2 | | X | | | X | | 200 |
| | | | X | | | X | 201 |
| | X | | | X | | | 202 |
| 3 | X | | X | | X | | 300 |
| | | X | | X | | X | 301 |
| 4 | | X | X | | X | X | 400 |
| | X | | X | X | | X | 401 |
| | X | X | | X | X | | 402 |
| | X | X | X | | X | | 410 |
| | X | | X | | X | X | 411 |
| | | X | X | X | | X | 412 |
| | | X | | X | X | X | 413 |
| | X | X | | X | | X | 414 |
| | X | | X | X | X | | 415 |

| Finger Quantity | Position | | | | | | Ident. |
|-----------------|----------|---|---|---|---|---|--------|
| | 1 | 2 | 3 | 4 | 5 | 6 | |
| 4 | X | X | | | X | X | 420 |
| | X | X | X | | | X | 421 |
| | | X | X | X | X | | 422 |
| | | | X | X | X | X | 423 |
| | X | X | X | X | | | 424 |
| | X | | | X | X | X | 425 |
| 5 | X | X | X | | X | X | 500 |
| | | X | X | X | X | X | 501 |
| | X | | X | X | X | X | 502 |
| | X | X | | X | X | X | 503 |
| | X | X | X | X | | X | 504 |
| | X | X | X | X | X | | 505 |
| 6 | X | X | X | X | X | X | 600 |

Standard Style



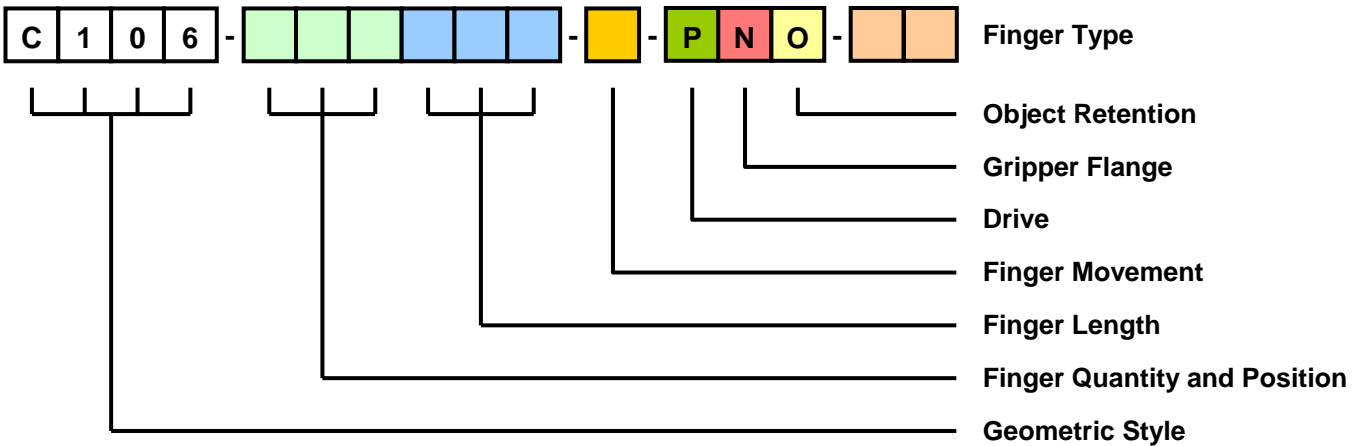
address:
GMG – Gesellschaft für modulare
 Greifersysteme mbH
 Rödingerweg 8H
 D-59494 Soest
 Germany

phone:
 +49 (0)2921 – 4062
 fax:
 +49 (0)2921 - 4042

e-mail:
 info@gmg-system.com
 homepage:
 http://www.gmg-system.com



Order Number



| Finger Quantity and Position |
|------------------------------|
| View table on previous page |

| Finger Length | | |
|---------------|----------------|--------------------------|
| | Length (F) | Ident. |
| Standard | 0 mm | 000 |
| | 40 mm | 040 |
| | 60 mm | 060 |
| | 80 mm | 080 |
| | 100 mm | 100 |
| | Special Length | Declaration in mm |

| Finger Movement | |
|--|----------|
| Style | Ident. |
| parallel open parallel close | A |
| parallel open swiveling close | B |
| swiveling open swiveling close | C |
| Combination of Finger Movement Styles* | K |

| Gripper Flange | |
|----------------|----------|
| Style | Ident. |
| Normal | N |

* on request

| Object Retention at Blackout | |
|------------------------------|----------|
| Style | Ident. |
| Without Object Retention | O |

| Drive | |
|-----------|----------|
| Style | Ident. |
| pneumatic | P |

| Finger Type | |
|--------------|-----------|
| Style | Ident. |
| Without Bore | 00 |
| With Bore | 01 |



address:
GMG – Gesellschaft für modulare Greifersysteme mbH
 Rodingerweg 8H
 D-59494 Soest
 Germany

phone:
 +49 (0)2921 – 4062
fax:
 +49 (0)2921 - 4042

e-mail:
 info@gmg-system.com
homepage:
 http://www.gmg-system.com