

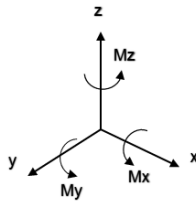
Tire Gripper

Type R106



Characteristics:

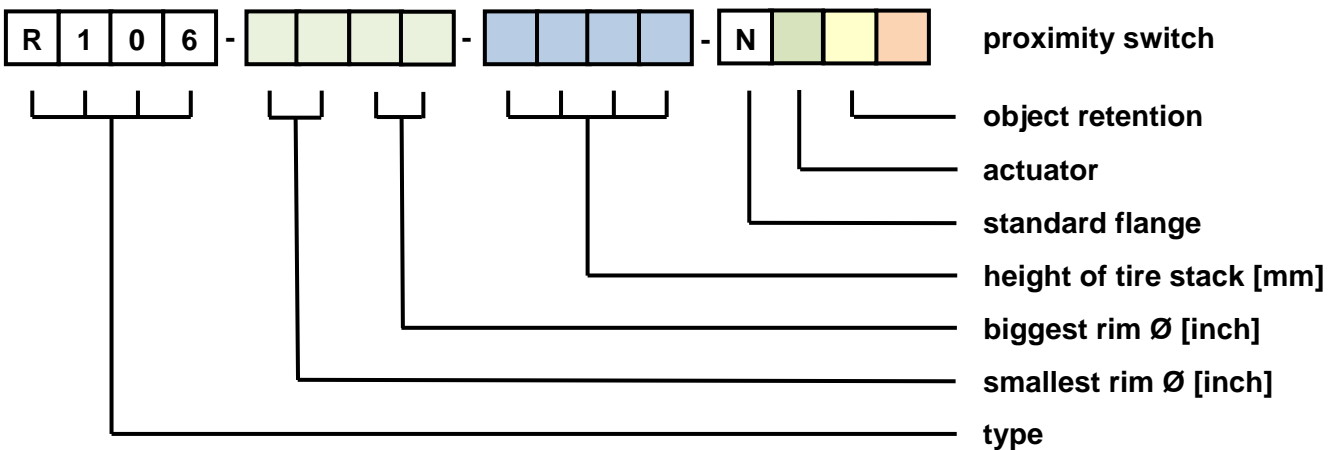
- parallel finger movement
- actuator pneumatic or electric
- position checks through proximity switches (optional)
- optionally with object retention upon loss of air pressure
- materials: stainless steel, fingers made from anodized aluminum
- high torques in all three dimensions
- long stroke with end-of-stroke damping on both sides
- inside and outside gripping applications with arbitrary geometry and number of fingers



Technical data:

type:	R106
temperature:	-30 bis +80 °C
mass (by geometry):	approx. 20-50 kg
load capacity	Fz approx. 10.000 N

Order Number:



actuator	
kind	sign
pneumatic	P
electric	E

object retention	
kind	sign
object retention fingers opening	A
without object retention	O

proximity switch	
sensor	sign
with proximity switch	W
without proximity switch	O

Address:

GMG – Gesellschaft fuer modulare Greifersysteme mbH
 Rodinger Weg 8H • 59494 Soest
 Germany

Phone:

+49 (0)2921 - 4062

Fax:

+49 (0)2921 - 4042

E-mail:

info@gmg-system.com

Homepage:

http://www.gmg-system.com